


PRODUCT SHEET

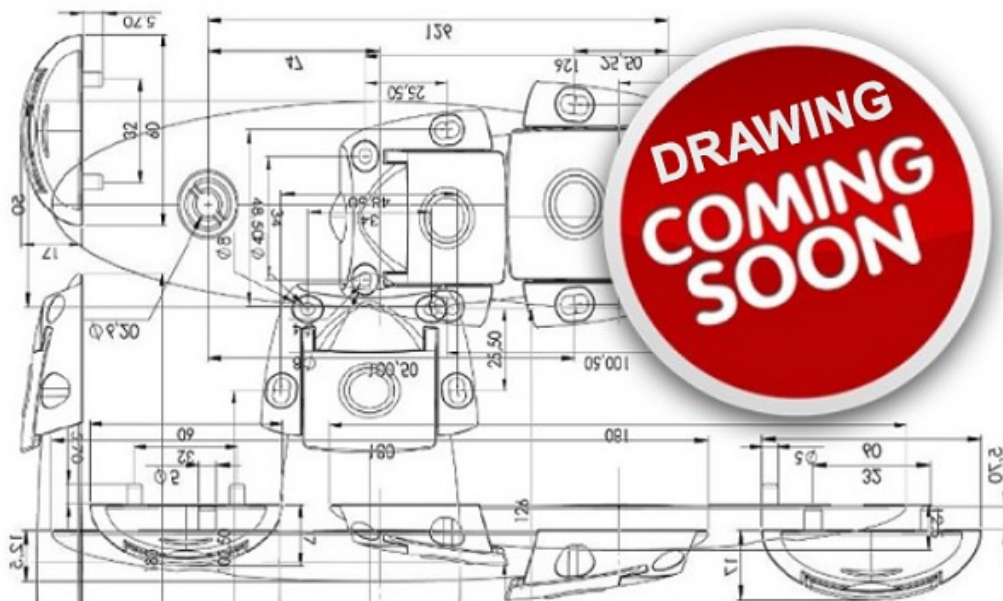
Description:

Transparent Plastic Sleeve F/Duplo $\varnothing 5 \times 10 \text{mm}$

Item number:

22.02.033-0

Units	Box	Carton	HS Code	Barcode
Pcs.	1	30000	3926300090	 5704866078108



SISO A/S

Mileparken 11
DK-2740 Skovlunde
Denmark
VAT: DK 24786013

Phone +45 45 830 900

www.siso.dk
siso@siso.dk

Danske Bank
Nytorv Branch
Copenhagen
SWIFT: DABADKKK

Account no.
4180 3112 112936
IBAN Account
DK7230003112112936